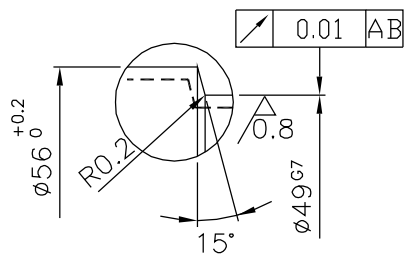
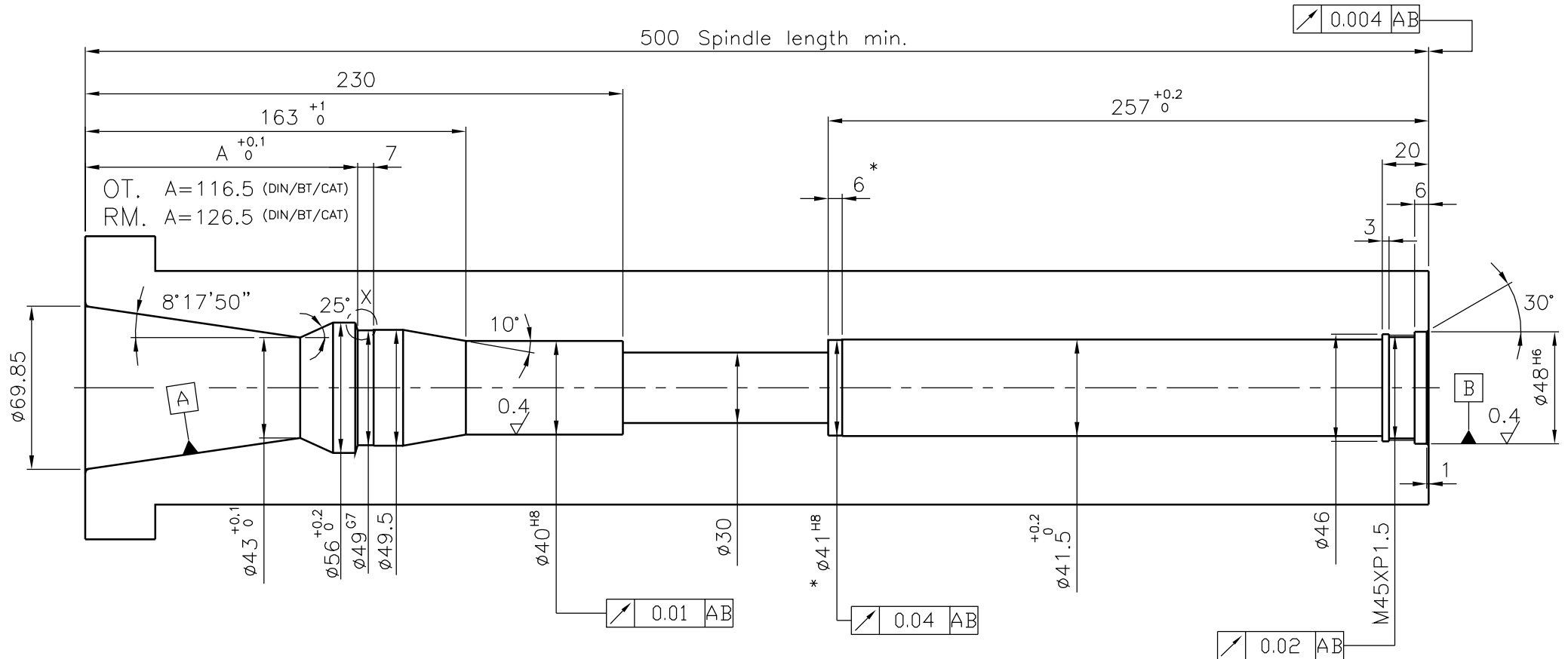


# Spindle inside contour



<http://smartc.company>

\* to be cancelled when spindle length < 615mm 銳角去除

DETAIL X  
HRC 60±2°  
Eht. min 1mm

處 理	備 註	材 質	硬 度	第三角法	比 例	台 件	設 計	日 期
	50spind		RC		1/2.5		H.J.	00/6/22
		S.M.		圖 號	50SPINDLE			

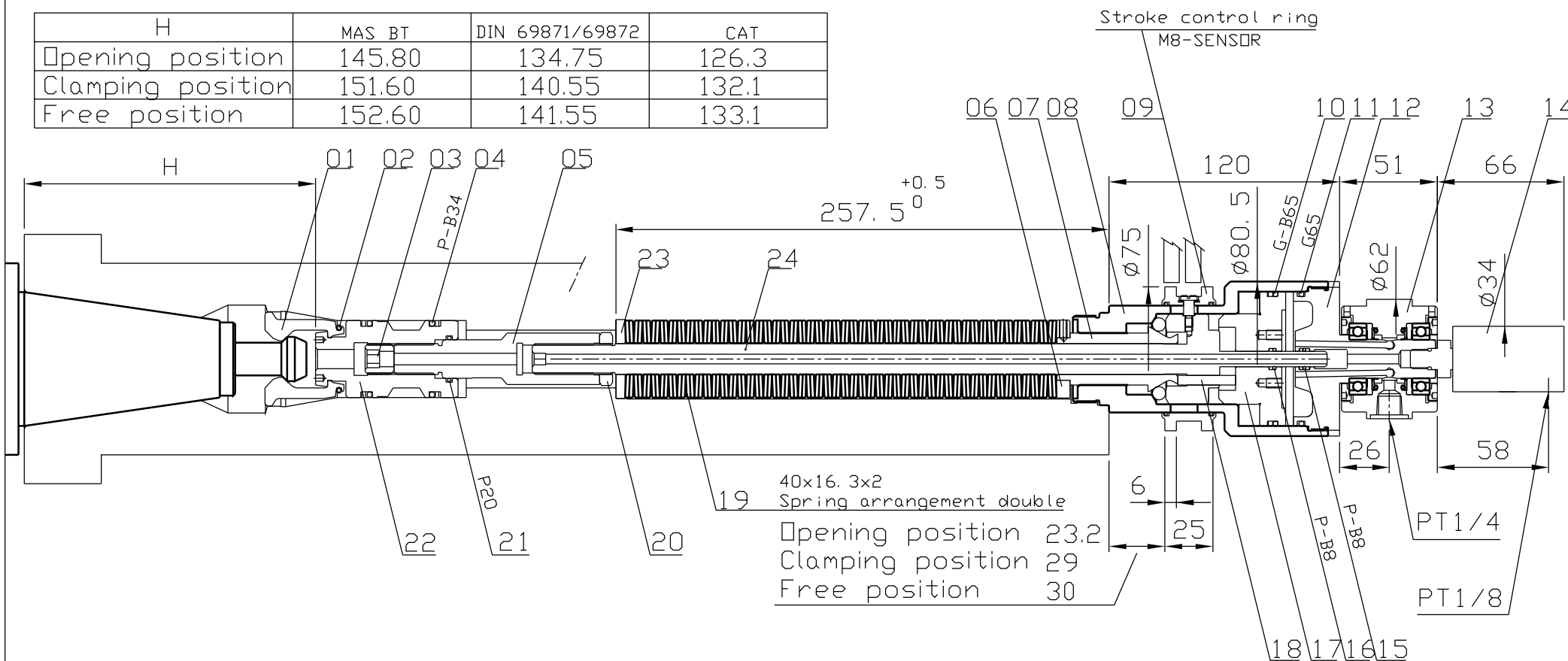
# 50PSTA/2400

50PS2010

Id. no.

Com. no.

H	MAS BT	DIN 69871/69872	CAT
Opening position	145.80	134.75	126.3
Clamping position	151.60	140.55	132.1
Free position	152.60	141.55	133.1



Spring pressure 6000N (in clamping position)  
 Spring arrangement double  
 Pull force 24000N (in clamping position)  
 speed 10000 rpm  
 opening force 60 bar (only when non-rotating)  
 coolant lubrication max. 80 bar  
 air max. 10bar  
 total clamping stroke 6.8mm  
 ejection stroke 1mm

<http://smarc.company>

S.M.

date

00/7/4